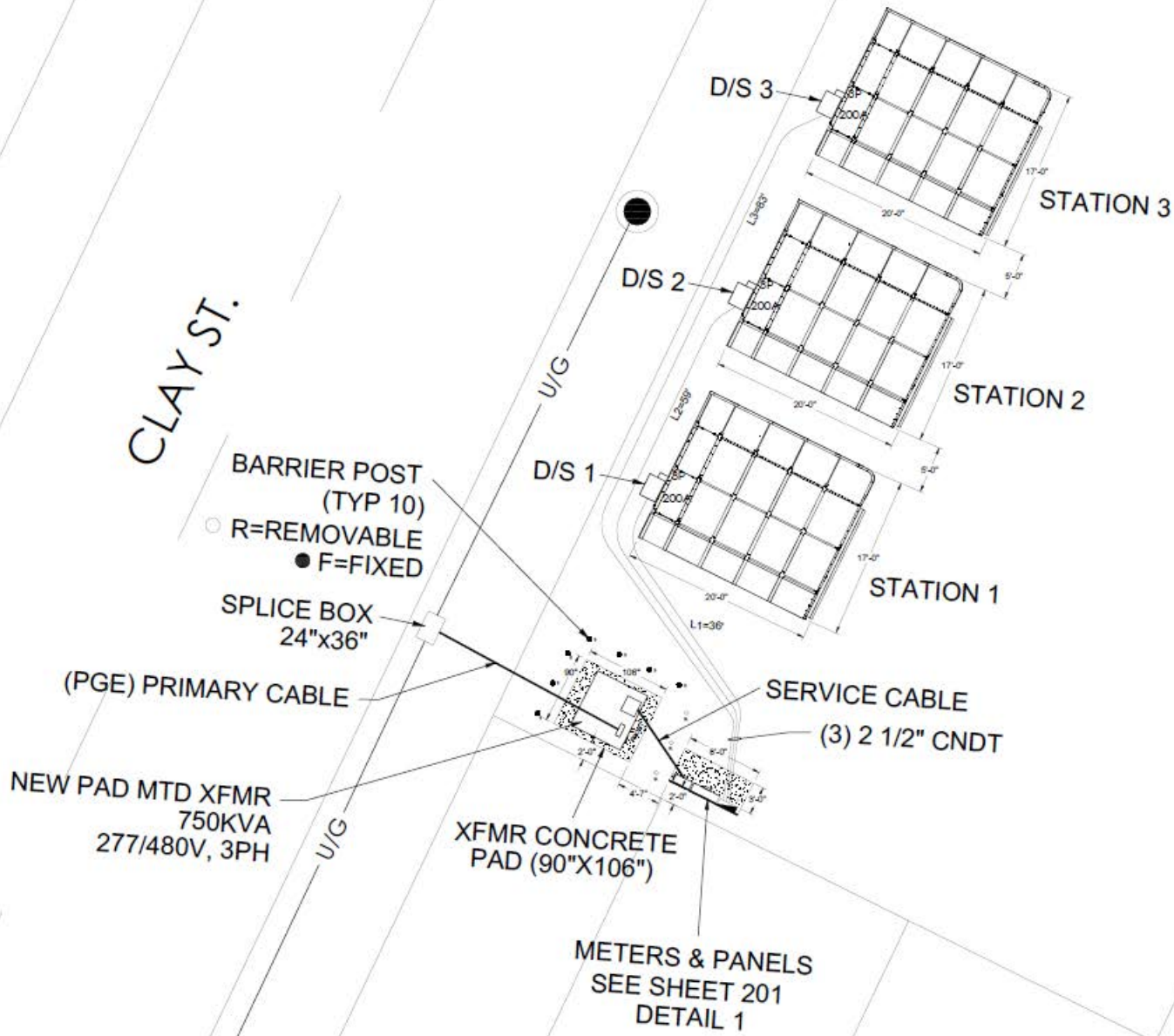




ENTRANCE  
FACING AT 3RD ST.

CLAY ST.



D/S 3

STATION 3

D/S 2

STATION 2

D/S 1

STATION 1

BARRIER POST  
(TYP 10)

○ R=REMOVABLE  
● F=FIXED

SPLICE BOX  
24"x36"

(PGE) PRIMARY CABLE

NEW PAD MTD XFMR  
750KVA  
277/480V, 3PH

XFMR CONCRETE  
PAD (90"x106")

SERVICE CABLE  
(3) 2 1/2" CNDT

METERS & PANELS  
SEE SHEET 201  
DETAIL 1

U/G

U/G

L1=36'

L2=36'

L3=36'

90"

106"

2'-0"

2'-0"

4'-7"

2'-0"

2'-0"

6'-0"

2'-0"

2'-0"

2'-0"

2'-0"

2'-0"

2'-0"

2'-0"

2'-0"

2'-0"

2'-0"

2'-0"

2'-0"

20'-0"

17'-0"

5'-0"

20'-0"

17'-0"

5'-0"

20'-0"

17'-0"

5'-0"

20'-0"

17'-0"

5'-0"

20'-0"

17'-0"

20'-0"

17'-0"

5'-0"

20'-0"

17'-0"

5'-0"

20'-0"

17'-0"

5'-0"

20'-0"

17'-0"

5'-0"

20'-0"

17'-0"

20'-0"

17'-0"

5'-0"

20'-0"

17'-0"

5'-0"

20'-0"

17'-0"

5'-0"

20'-0"

17'-0"

5'-0"

20'-0"

17'-0"

20'-0"

17'-0"

5'-0"

20'-0"

17'-0"

5'-0"

20'-0"

17'-0"

5'-0"

20'-0"

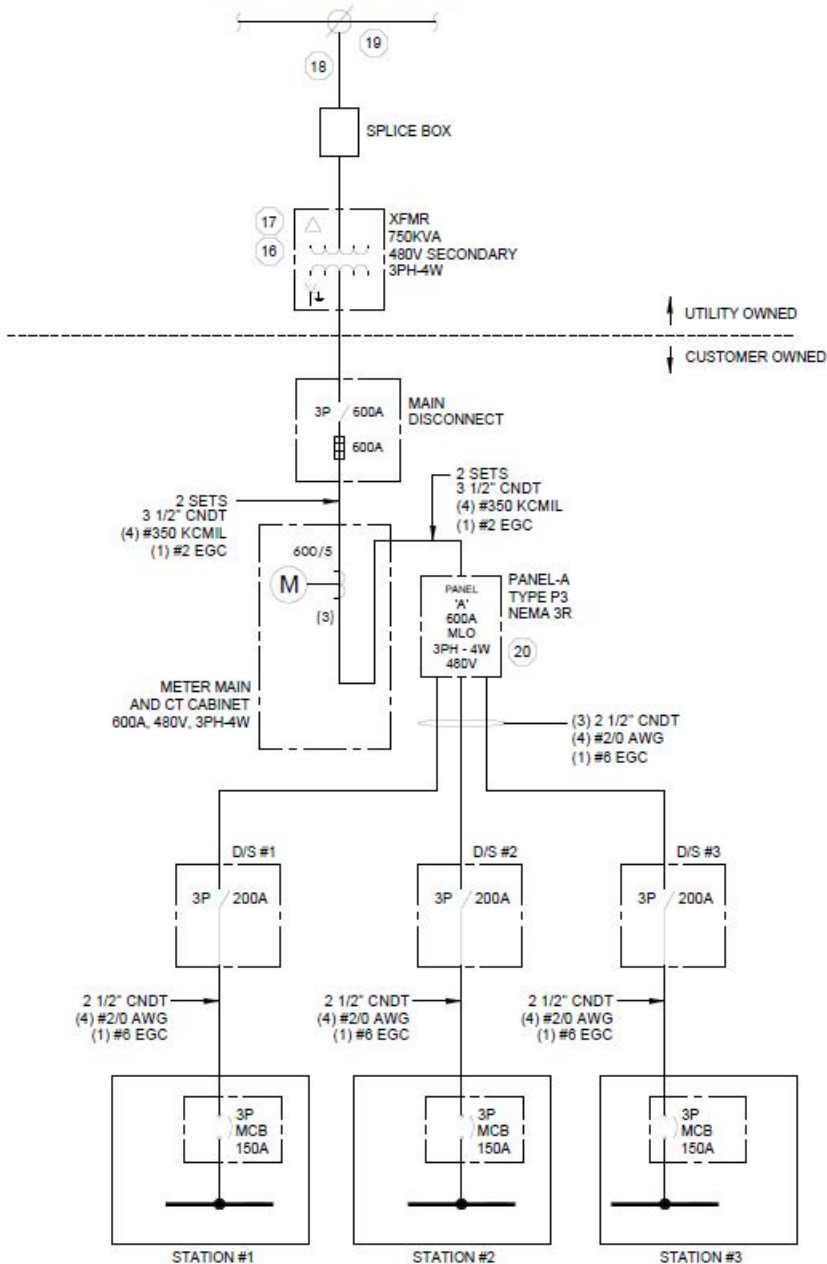
17'-0"

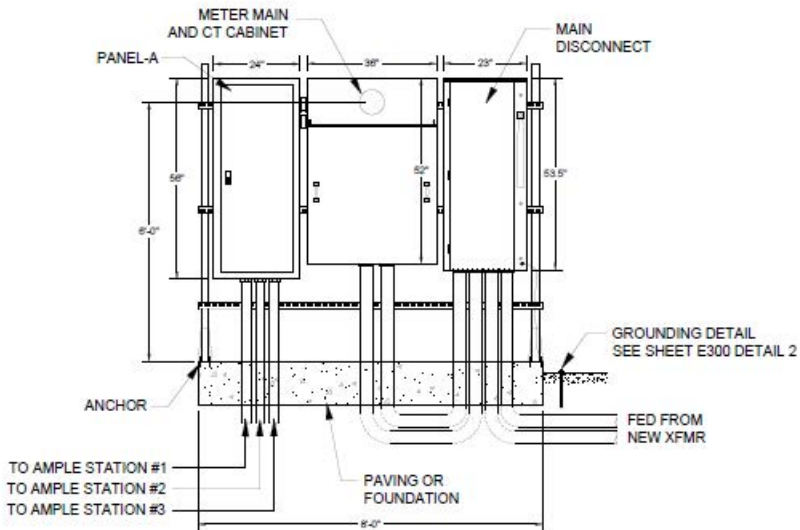
5'-0"

20'-0"

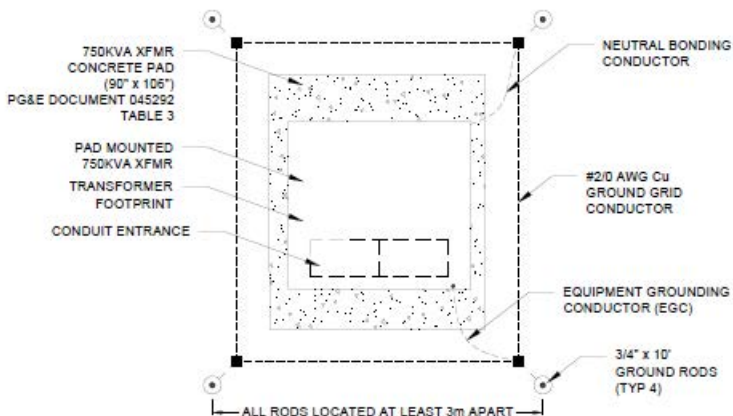
17'-0"

FED FROM EXISTING PG&E SERVICE





**1** EQUIPMENT ELEVATION DETAIL  
 E201 SCALE: 3/4" = 1'-0"



**2** 750KVA XFMR PAD GROUNDING DETAIL  
 E201 SCALE: 1/2" = 1'-0"